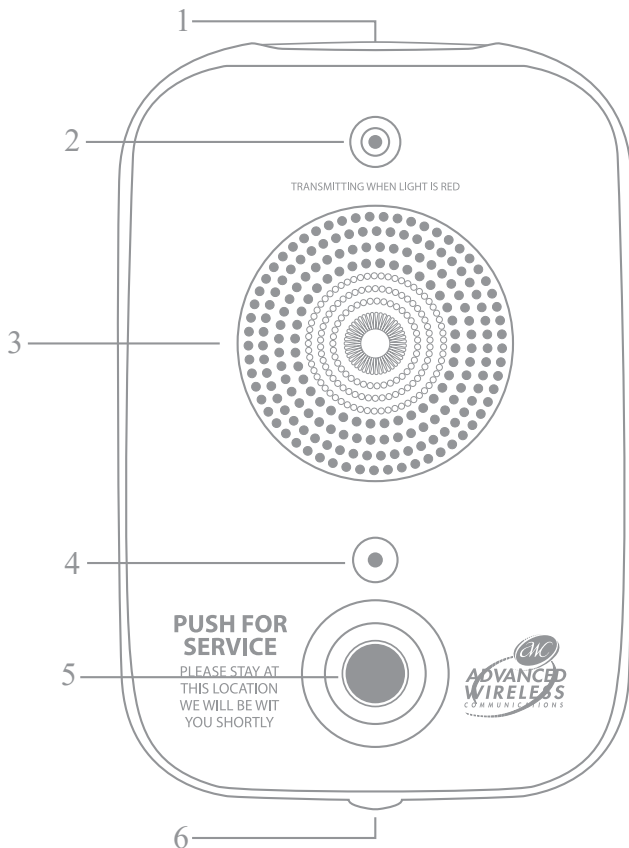
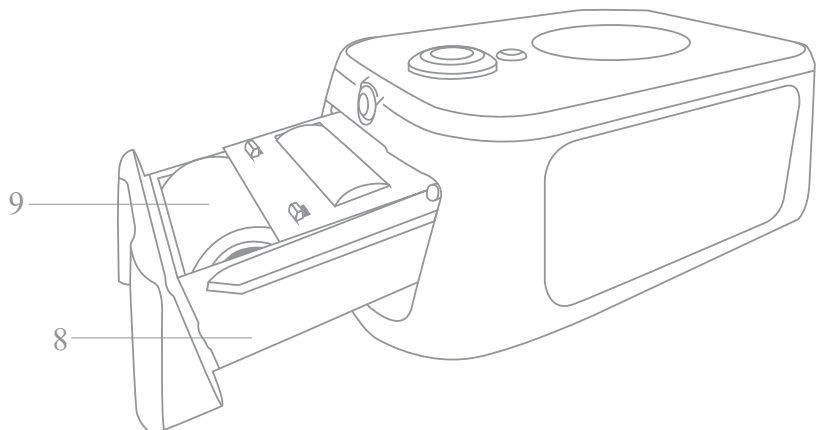
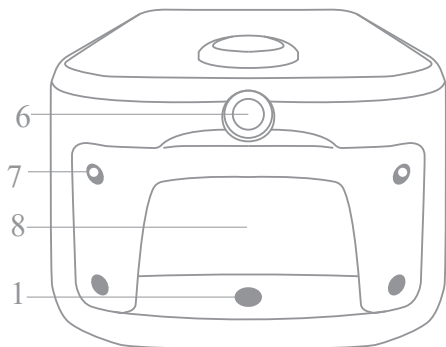


Getting Started Guide

AWR CB2100 One-Way Call Box



- 1. Built in Mount**
- 2. LED**
Flashes green when activated (awake), steady red when transmitting.
- 3. Speaker**
Will play "Speaker Message on Activation" greeting message, and "Speaker Message on Clear" when reset button is pressed.
- 4. Microphone**
- 5. Activator**
Pressing will cause the call box to "wake-up" and perform it's programmed duties.
- 6. Reset Button.**
If pressed, while the callbox is active, the alert message process is terminated.
- 7. Screw (battery drawer)**
- 8. Battery Drawer**
- 9. D - Cell Battery**
The Call Box requires three d-cell batteries to



(952) 469-5400 / (800) 475-5852
20809 Kensington Blvd, Lakeville, MN 55044
www.advancedwireless.com

